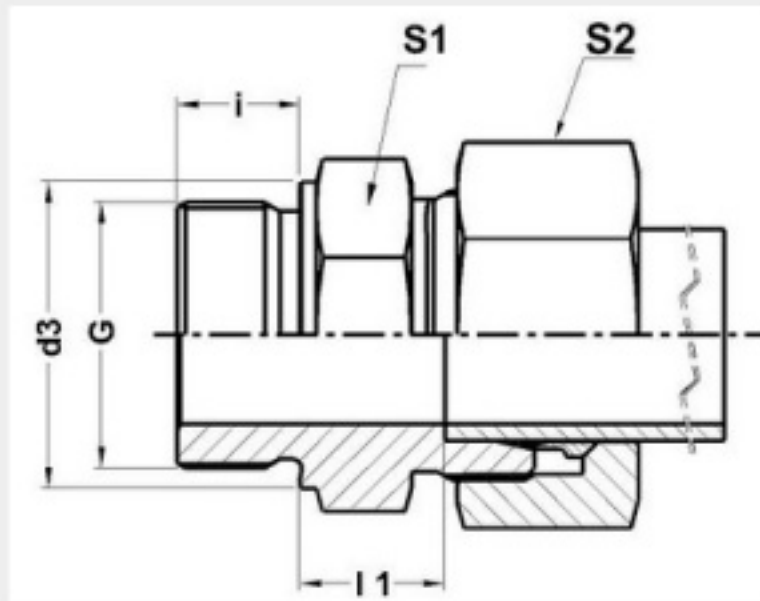


METRIC BITE TYPE FITTINGS

GE-LR - STRAIGHT MALE STUD COUPLING

Male Stud Thread G - BSP
 BSP Threads Parallel Form 'A'
 (On Request Form 'B' also Available)



ORIENT ENGINEERING WORKS

Part No.	Series	Tube OD	l_1	l	S_2	S_1	d_3	G
GE 06 LR	Light-250 Bar	6	8.5	8	14	14	14	G 1/8
GE 06 LR	Light-250 Bar	6	10	12	14	19	18.9	G 1/4
GE 06 LR	Light-250 Bar	6	11.5	12	14	22	22	G 3/8
GE 06 LR	Light-250 Bar	6	12	14	14	27	26.9	G 1/2
GE 08 LR	Light-250 Bar	8	10	12	17	19	18	G 1/4
GE 08 LR	Light-250 Bar	8	9.5	8	17	14	14	G 1/8
GE 08 LR	Light-250 Bar	8	11.5	12	17	22	22	G 3/8
GE 08 LR	Light-250 Bar	8	12	14	17	27	26.9	G 1/2
GE 10 LR	Light-250 Bar	10	11	12	19	19	18	G 1/4
GE 10 LR	Light-250 Bar	10	12.5	12	19	22	22	G 3/8
GE 10 LR	Light-250 Bar	10	13	14	19	27	26	G 1/2
GE 12 LR	Light-250 Bar	12	12.5	12	22	22	22	G 3/8
GE 12 LR	Light-250 Bar	12	12	12	22	19	18	G 1/4